



PoE World

World Class PoE Injectors, Splitters, Switches, Extenders

Our Locations and Partners:

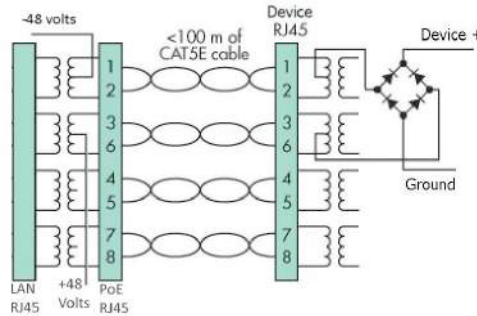
PoE-Texas Austin Texas
PoE-UK London England

PoE-India Pune India
PoE-World Shenzhen China
<http://poe-world.com>

GPOE-1A-48v15w Injector for 802.3af devices

10/100/1000 Gigabit PoE injector.

Internal power supply, 48 volts and 15 watts.



- PoE-World brand PoE injector
- 1 Port Gigabit Ethernet Injector
 - 1 Shielded RJ-45 LAN
 - 1 Shielded RJ-45 LAN+POE
 - 10/100/1000 data rates
- Power is always on
 - no auto-negotiation
 - powers 802.3af devices "always on"
- Size: 110mm x 24mm x 22mm
- 500 ma automatic current limit
 - use only with PoE devices
- Use with any Ethernet switch
 - PoE or non-PoE switches
- LED status indicator
- Operating Temperature
 - 0 to 55 deg C
- Mode A operation
 - pins 1-2 (minus 48 volts)
 - pins 3-6 (positive 48 volts)
 - use crossover cable for reverse PoE
- Ideal for IP Cameras, VOIP phone, WiFi Access Points
- 48v 15w power supply
 - 110/240 inputs, Class 2,
 - DoE class 6, FCC listed
 - UL in 1Q2017
 - narrow body uses just one outlet space
 - 1500 volts isolation
- Technical support:poe-world.com
- Other gigabit versions available
 - 48 volt 15 watt mode B
 - 24 volt 15 watt mode B
 - 29 volt 12 watt mode B reverse

Other PoE-World brand Products



12 to 24 port rack mount



6 port wall mount



PoE Tester