



PoE World

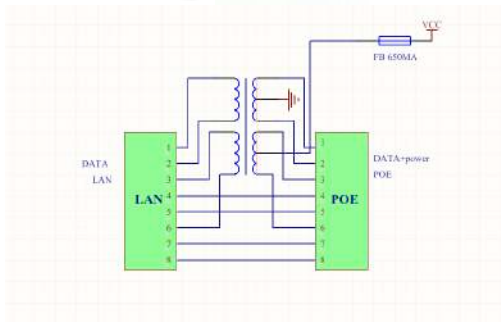
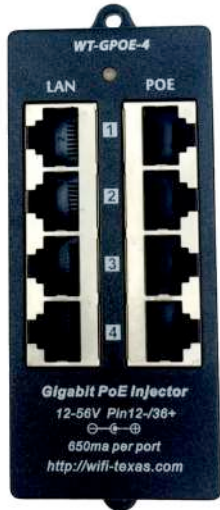
World Class PoE Injectors, Splitters,
Switches, Extenders

Our Locations and Partners:

PoE-Texas Austin Texas
PoE-UK London England

PoE-India Pune India
PoE-World Shenzhen China
<http://poe-world.com>

GPOE-4 for 802.3af or passive 802.3at mode A power for 4 gigabit devices with power supply



- PoE-World brand injector
- 4 Port Gigabit Ethernet Injector
 - 4 Shielded RJ-45 LAN
 - 4 Shielded RJ-45 LAN+POE
 - 10/100/1000 data rates
- Injector: 115mm x 45mm x 25mm including 10mm tabs
- Power supply: 122mm x 53mm x 34mm plus 12mm on each side for the tab
- Wall mount - stackable
- 650 ma automatic resettable fuse on each port
- Same voltage to all ports power is shared as needed by the devices
- Use with any Ethernet switch
 - PoE or non-PoE switches
- Standard power connector
 - 2.1mm x 5.5mm
- LED status indicator
- Operating Temperature
 - 0 to 65 deg C
- Mode A operation
 - pins 1-2 (-)
 - pins 3-6 (+)
 - reversing option on request
- Ideal for IP Cameras, VOIP phone, WiFi Access Points
- Technical support: poe-world.com
- Select the power supply you need 48 or 56 volts
- Power is always on
 - no auto-negotiation
 - powers 802.3af / 802.3at devices “passively”
- Use our reversing jumper for reverse polarity if needed (WS-Cisco)

Power Input

Device Spec	Mode A - DC Input RJ45 pins 12- 36+	Note
Passive 802.3at	56 volts	Please use AT-4 for active 802.3at
802.3af or “12v, PoE”	48 volts	Up to 100 watts total, or 25 watts per port