



**PoE World**

World Class PoE Injectors, Splitters,  
Switches, Extenders

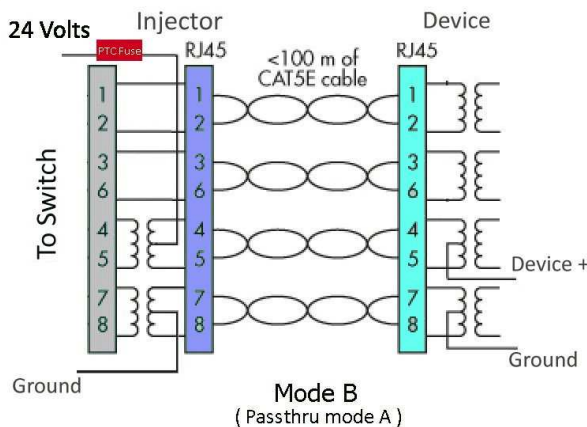
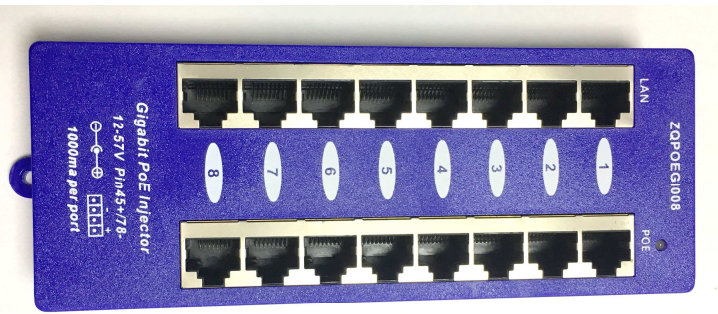
**Our Locations and Partners:**

PoE-Texas Austin Texas  
PoE-UK London England

PoE-India Pune India  
PoE-World Shenzhen China  
<http://poe-world.com>

# GPOE-8B

for Ubiquiti and Mikrotik  
power for 8 Gigabit devices with 24 volts



- 8 Port Gigabit Ethernet Injector
  - 8 Shielded RJ-45 LAN
  - 8 Shielded RJ-45 LAN+POE
  - 10/100/1000 data rates
- Injector: 180 mm x 45mm x 25mm including 2x 10mm tabs
- Power supply: 122mm x 53mm x 34mm plus 12mm on each side for the tab
- Wall mount - stackable
- 1000 ma automatic resettable fuse on each port
- Same voltage to all ports power is shared as needed by the devices
- Use with any Ethernet switch
  - PoE or non-PoE switches
- Standard power connector
  - 2.1mm x 5.5mm
- Additional Phoenix DC connector
  - 3.5mm model 1844236
  - pin 2 (minus) pin 4 (plus)
- LED status indicator
  - Green standard polarity
  - Red for Reverse polarity
- Operating Temperature
  - 0 to 65 deg C
- Mode B operation
  - pins 7,8 (-)
  - pins 4,5 (+)
  - reversible with the WS-Cisco adapter
- Mode A passthru
- Technical support: [poe-world.com](http://poe-world.com)
- Ideal for IP Cameras, VOIP phone, WiFi Access Points
- Select the power supply you need  
30, 60 or 120 watts
- Power is always on  
- no autonegotiation

## Power Input

| Device Spec          | Mode B - DC Input<br>RJ45 pins 4,5+ 7,8- | Note                                |
|----------------------|--|-------------------------------------|
| Ubiquiti<br>Mikrotik | 24 volts                                 | Up to 24 watts per port             |
| Canopy<br>Cambium    | 24 Volts<br>reverse                      | Use the WS-Cisco Reversing<br>cable |