

PoE World

World Class
Injectors Switches Splitters
Extenders Testers

Our Locations and Partners :

PoE-Texas Austin Texas

PoE-World Shenzhen China
<http://poe-world.com>

AT-24-1U

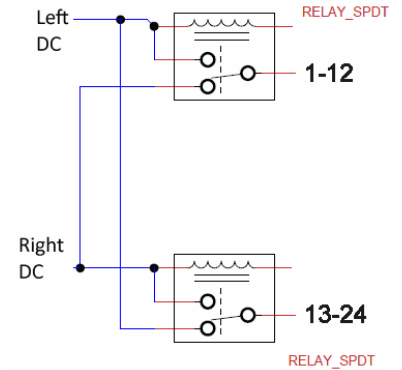


802.3af/at compliant injector for 24 gigabit devices
from one supply 48v to 56v, 60 to 240 watts, fanless

- 24 Port 802.3af / at compliant Gigabit Ethernet Injector
 - 24 Shielded RJ-45 LAN
 - 24 Shielded RJ-45 LAN+POE
 - PoE status LED for each jack
 - all 4 data pairs active for gigabit data rates
 - shared data and power via transformer power injection on 12 – and 36+ – pins 45 78 pass thru without modification
- 1U high standard rack mount (1.75 x 19 x 2 inches)
- 315 current limiter per port per 802.3af specifications
- 650 ma current limiter per port per 802.3at specifications with a 802.3at load
- No power is supplied to non-PoE devices
- Same voltage to all ports
- Dual power supply inputs with relay failover/ load balancing.
- LED for input power display – one per input
Green – 48 volts, Amber – 56 volts
- 24 LEDs for per port PoE mode display. Blue if a PoE device is connected
- Use with any Ethernet switch – passes all management info transparently
- Ideal for IP Cameras, VOIP phone, WiFi Access Points with 802.3af or 802.3at
- Technical support world wide
- Power supply range 48 to 56 volts via 2.1mm x 5.5mm input (2)
- Additional Phoenix DC connector
 - 3.5mm model 1844236 - pin 1,2 (minus) 3,4 (plus)
- Environmental
 - operating temperature range – 0 to 50 deg C
 - storage temperature range – 0 to 50 deg C
 - relative humidity range – 5 to 90% non condensing
 - FCC rules – there are no RF emitting devices in the design
 - the device is PELV per NFPA standard 79 – protected extra low voltage
 - no cooling is required, no fans. Quiet operation with no moving parts



2 DC inputs



failover relays

Power supply options	Voltage	Power configuration	802.3af Class 1	802.3af Class 3	802.3at Class 4
60 watts	48 volts	low cost	12 phones		
Dual 60 watts	48volts	Redundant	24 phones		
120 watts	48v for 8023af 56v for 802.3at	Medium power		9 Wifi access points	5 WiFi AP's
Dual 120 watts	48v for 8023af 56v for 802.3at	Load balanced		24 Wifi access points	10 WiFi AP's

